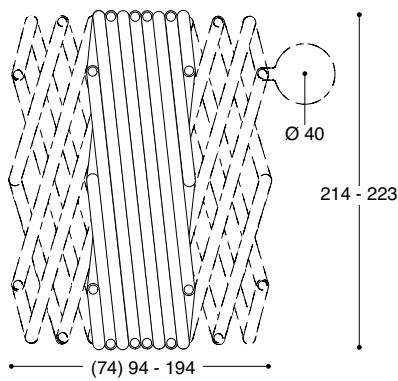


Scissor bed

990



This bed base is constructed as a pantograph mechanism, making it infinitely adjustable and able to accommodate all standard-size mattresses. It can be folded together and transported easily.



The scissor bed is infinitely adjustable in width for mattresses from 80 to 180 cm. Height 16 or, on request, 23. Length 200 cm.

Precise dimensions for a matching mattress size:

Mattress dimensions	Bed external dimensions
80 × 200 cm	94 × 223 cm
90 × 200 cm	104 × 223 cm
100 × 200 cm	114 × 222 cm
120 × 200 cm	134 × 220 cm
140 × 200 cm	154 × 218 cm
160 × 200 cm	174 × 210 cm

The infinitely adjustable bed base permits the use of all standard-size mattresses without spring mattress. Where two mattresses are used, they can be placed on top of each other on the folded-together base. A double bed can be turned into a single bed or seat.

The bed is made from Swiss beech and is available ready assembled, or for self-assembly. The following finishes are available: natural beech without varnish, natural beech varnished, beech painted black, white or a RAL/NCS colour. The small table 991 and the „Lifto“ swivel lamp (design: Benjamin Thut) can to be fitted to one or both sides of the bed. A foldable, 2 or 3-section Thut mattress is also available as an accessory.



Sofa bed, scissor bed with Thut 3-section mattress.



Single bed, scissor bed with Thut 3-section mattress.



Double bed, scissor bed with Thut 3-section mattress.

Timber place of origin declaration: Swiss beech or beech from the EU (more than 5 countries – as per Art. 3 Para. 4).

Dimensions and designs are subject to change without notice.

The depicted colours are not binding. Please ask for our material samples.