

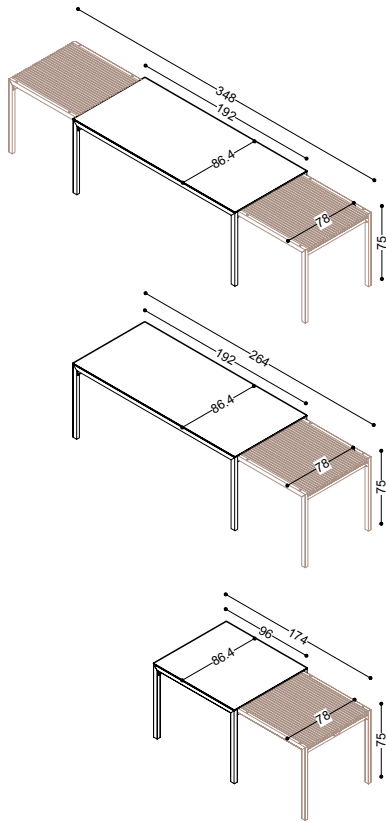
Extendable table

519



Thanks to its intelligently-designed framing, this extendable table can be opened to any desirable length within its scope. The table is available in two sizes. The large table comes with either one or two extendable sections. When the extendable section is fully open, an additional cover sheet can be placed over its top. The cover sheet slides under the table.

The extendable section lends itself to being used as a sideboard and, when fully extended, for two to three additional table settings. The largest table option offers space for up to 12 people. A minimalist table benefitting from an ingenious concept.



Dimensions of the extendable table:

Height 75 cm, width 86.4 cm

Small table with 1 extendable section, length closed 96 cm, extended 174 cm

Large table with 1 extendable section, length closed 192 cm, extended 264 cm

Large table with 2 extendable sections, length closed 192 cm, extended 348 cm

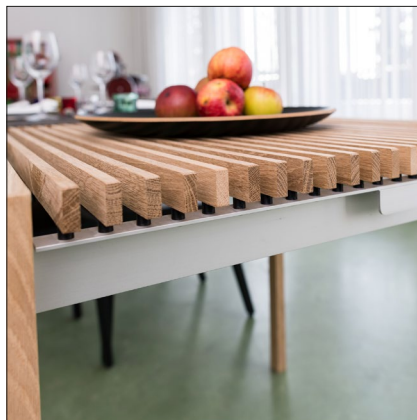
Table top and additional extendable top in a bespoke aluminium and polyethylene composite, covered with either black 4023 or beige 4176 linoleum.

Under-framing and legs in natural oak. Transverse members in aluminium.

The cover sheet can be placed on the fully-out extendable section where it is held securely by magnets. The cover sheet from the extendable section can be slid under the table when not required.



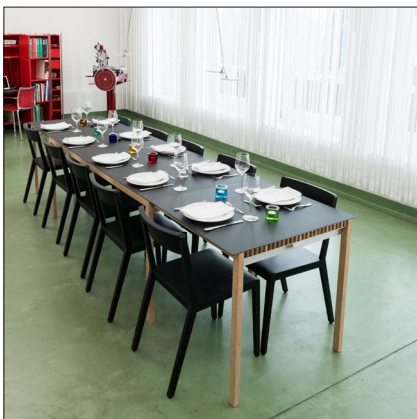
Small base table with one extendable section, beige linoleum top.



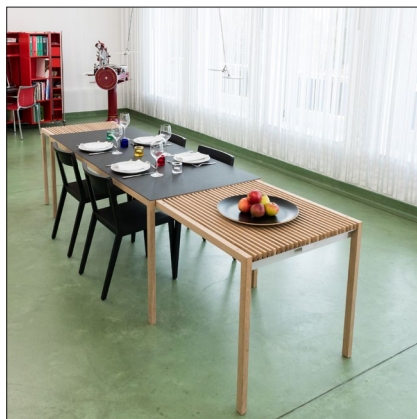
Under-framing in natural oak.



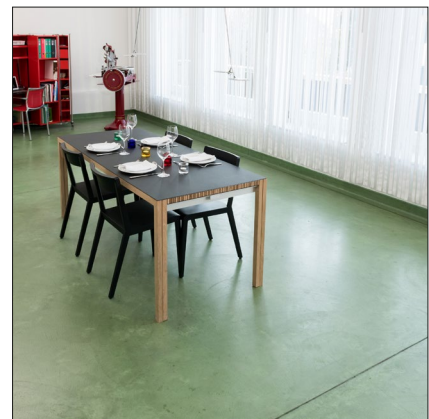
The cover sheets are held securely in position using magnets.



Large table with two extendable sections, fully extended 3.48 meters long.



Large table with two extendable sections, without extension cover sheets.



Large table with two extendable sections, retracted 1.92 meters long.

Dimensions and designs are subject to change without notice. The depicted colours are not binding. Please ask for our material samples.

Thut Möbel, CH - 8107 Buchs ZH, Telefon +41 (0)44 440 60 60, www.thut.ch